

# DATA SHEET

## Miniature Fiber Optic 3G-SDI Digital Video Extension Modules

### Contents

- ◆ Description
- ◆ Features
- ◆ Applications
- ◆ Technical Specifications
- ◆ Functions
- ◆ Drawing
- ◆ Fiber Connection
- ◆ Environmental Reliability
- ◆ Schematic Diagram
- ◆ Test Report for SDIX-100

#### OPTICIS HQ

Opticis Co., Ltd.

# 304, Byucksan Technopia, 434-6  
Sangdaewon-Dong, Chungwon-Ku,  
Sungnam City, Kyungki-Do, 462-716  
South Korea  
Te l: +82 (31) 737-8033~8  
Fax: +82 (31) 737-8079

[www.opticis.com](http://www.opticis.com)  
[tosales@opticis.com](mailto:tosales@opticis.com)

# Fiber Optic 3G-SDI Extension Module

## Description

OPTICIS miniature 3G-SDI extender is an optimized and high-end level solution designed for transmission of multi-rate 3G-SDI, HD-SDI, DVB-ASI digital video data over both single-mode, multi-mode 1 fiber-optic cable. Supporting the new 1080p, 3G-SDI format, it converts and transport one(1) channel SMPTE 424M, 3G-SDI, SMPTE-292M HD-SDI or SMPTE-295M serial digital video signal perfectly over long distance right after its transmitter receive the input signal. It also adopts ST terminated fiber-optic connector and HD-SDI BNC input connector for suitable application and both modules guarantee the signal quality by equalizing and re-clocking features.

Due to the use of advanced digital fiber optic transmission technology, no user adjustments are required in the Mini 3G-SDI extender system, enabling quick setup and trouble-free operation and because of latch-locking mechanism for power connector, no power disruption due to miss-handling problem. It comes with a rugged, standalone, miniature and metal die-casting enclosure type for harsh applications including broadcasting, medical, military and more for your world.

The modules are consisted of three(3) parts as follows;

- One transmitter converting digital video signal to optical signals, model name: SDIX-100-T
- One receiver converting optical signals to digital video signals, model name: SDIX-100-R
- One receiver converting optical signals to digital video signals including clock recovery, model name: SDIX-100C-R

The package includes as follows;

- Two modules of transmitter and receiver
- Two(2) DC 5V 1.5A Adaptors
- +12V power supply cable directly from camera (Option)
- User manual

## Features

- ◆ Supports up to 3G-SDI.
- ◆ Extends up to 20Km @1.485G.
- ◆ Transports Multi-rate HD-SDI Digital Video over 1 Fiber.
- ◆ Latch-Locking Power Connector.
- ◆ HD-SDI BNC input connector and ST terminated fiber optical connector.
- ◆ Robust metal die-casting enclosure for harsh environment.

## Applications

- ◆ Broadcast systems including remote/ENG/EFP and pre/post-production, studio to studio, camera to OB Vans, stadium to studio 3G-SDI digital video extension.
- ◆ Fiber optic applications with free-interference using 3G-SDI signals including medical, military, government and security purposes.

## Technical Specifications

### - General Specifications

	Parameter	Specifications
Components		
Electrical		
Optical		
Mechanical		
Connect		

### - Absolute Maximum Ratings

Parameter	Symbol	Minimum	Maximum	Units
Supply Voltage				
Operating Temperature		0	50	
Storage Temperature				
Storage Relative Humidity				

- **Operating Conditions**  
**Transmitter module (E-to-O converter) : SDIX-100-T**

	Parameter	Symbol	Minimum	Typical	Maximum	Units
Power Supply	Supply Voltage					
	Supply Current					
	Power Dissipation					
	Power Supply Rejection (Note1)					
Optical Link (Note3)	Output Optical Power					
	Wavelength					
	Spectral width in RMS					
	Relative Intensity of Noise (Note4)					
	Extinction Ratio					
	Rising/Falling Time					
	Jitter in p-p value (Note5)					

Note1.

Note2.

Note3.

Note4.

Note5.

**Receiver module (O-to-E converter): SDIX-100-R**

	Parameter	Symbol	Minimum	Typical	Maximum	Units
Power Supply	Supply Voltage					
	Supply Current					
	Power Dissipation					
	Power Supply Rejection (Note6)					
Optical Link (Note9)	Receiving Optical Power					
	Receiving Wavelength					
	Signal_Detect Good					
	Signal_Detect Fail					
	Link Power Budget					
	Total Jitter (note 10)					

**Receiver module (O-to-E converter): SDIX-100C-R**

	Parameter	Symbol	Minimum	Typical	Maximum	Units
Power Supply	Supply Voltage					
	Supply Current					
	Power Dissipation					
	Power Supply Rejection (Note6)					
	Single-Ended Output Swing Voltage (Note8)					
Optical Link (Note9)	Receiving Optical Power					
	Receiving Wavelength					
	Signal_Detect Good					
	Signal_Detect Fail					
	Link Power Budget					
	Total Jitter (note 10)					

Note6.

Note7.

Note8.

Note9.

Note10.

**- Recommended Specifications of Fibre-Optic Cables**

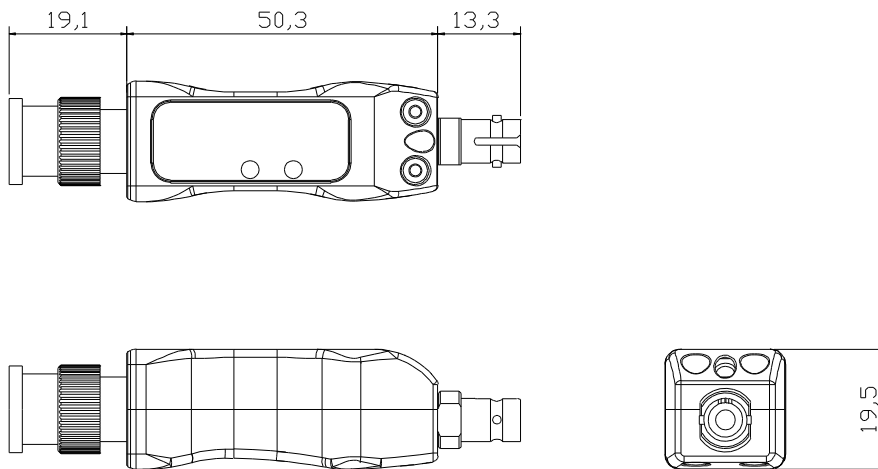
Parameters	Conditions	Specifications
Fibre Type		
Modal Bandwidth		
Fiber Cable Attenuation		
Extension Distance		
No. of Ferrules		
Skew		
Insertion Attenuation		
Total Optical Attenuation		

Note\*:

## Functions

### Drawing

Dimension [mm]



Note: The transmitter, SDIX-100-T and the receiver, SDIX-100C-R have the same mechanical dimensions.

### Fiber Connection

The diagram shows the connection of transmitter (Tx; plug in PCs) and receiver (Rx; plug in displays) modules by using 1 ST patch cord fiber.

**Warning;**

## Reliability Test

Opticis utilizes three types of test criteria for a reduction of variability and a continuous improvement of the process by its FEMA (Failure Mode and Effective Analysis) program.

- 1) Mechanical test (vibration, shock)
- 2) Temperature & humidity tests
- 3) EMC test (*FCC class A Verification and CE Documentation*)

### Mechanical and Temperature & Humidity Test Data

Heading	Test	Conditions	Duration	Sample Size	Failure	Remarks
<i>Operating Test</i>	Operating at each Temperature	* 0 ~ 50 °C (Interval: 10 °C)	30 Min (Each Temperature)	n =11	0	Note: Visual Test on the Display Pixel Error Rate
	High Temperature	* T <sub>0</sub> = 70 °C	240 HR	n = 10	0	Note: Visual Test on the Display
<i>Storage Test</i>	Low Temperature	* T <sub>S</sub> = -30 °C	96 HR	n=2	0	1. TS: Storage Temperature
	High Temperature	* T <sub>S</sub> = 90 °C	96 HR	n=2	0	2. RH: Relative Humidity
	High Humidity High Temperature	* T <sub>S</sub> : 85 °C * RH: 85%	96 HR	n=6	0	
<i>Mechanical Test</i>	Mechanical Shock	* Pulse: 11 ms * Peak level: 30 g * Shock pulse: 3 times/Axis	-	n=2	0	
	Mechanical Vibration	* Peak acceleration: 20 g * Frequency: 20~2000 Hz * Sweep time: 30 Minutes * 4 Times/Axis	-	n=2	0	

**EMC Test Data**

**1) EMI: Meet FCC class A (ICES-003) and CE class A**

<b>STANDARDS</b>		<b>CONDITIONS</b>
EN 55 022 (CISPR22) FCC; PART 15 SUBPART B	CE (Conducted Emission) & RE (Radiated Emission)	Meet Class A
EN 61000-3-2 (IEC 61000-3-2)	Harmonics	Meet Class A
EN 61000-3-3 (IEC 61000-3-3)	Flickers	Meet Class A

**2) EMS: Meet CE standards (EN 55024) and CISPR24 equivalents**

<b>STANDARDS</b>		<b>CONDITIONS</b>
EN 61 000-4-2:1995	Electrostatic Discharge Immunity (Air: 8kv, Contact: 4kv)	Meet Criterion B
EN 61 000-4-3:1996	Radiated RF E-Field (80~1000 MHz) 3V/m (AM 80%, 1kHz)	Meet Criterion A
EN 61 000-4-4:1995	Fast Transients (5kHz, 60Seconds)	Meet Criterion B
EN 61 000-4-5:1995	Surge Transients	Meet Criterion B
EN 61 000-4-6:1996	Conducted Susceptibility (CS) Radiated Susceptibility (RS)	Meet Criterion A
EN 61 000-4-11:1994	Voltage Dips, Interruption & Variation	Meet Criterion C

**Terminology**

DDC	Digital Display Channel. Latest specification is DDC2B.
DVI-D	Digital Visual Interface. Digital connection only – no analog.
EDID	Extended Display Identification Data. EDID parameters are sent over the DDC link.
EMI	Electro Magnetic Interference.
EMS	Electro Magnetic Susceptibility.
HDCP	High Definition Content Protection. These parameters are part of the 2002 High Definition Multimedia Interface (HDMI) specification for Consumer Electronics.
PDP	Plasma Display Panel. Large HDTV panels up to 63” use this display technology.
RFI	Radio Frequency Interference.
TFT-LCD	Thin Film Transistor Liquid Crystal Display – the technology of most computer display panels with VESA resolutions up to 1600x1200 pixels.
TMDS	Transmission Minimized Differential Signalling is the Silicon Image Inc. protocol for the digital signals.
VCSEL	Vertical Cavity Surface Emitting Laser transmitter diode. The receiver diode is the PIN-Photo Diode. These components are designed and manufactured by Opticis.
VESA	Video Electronics Standards Association.