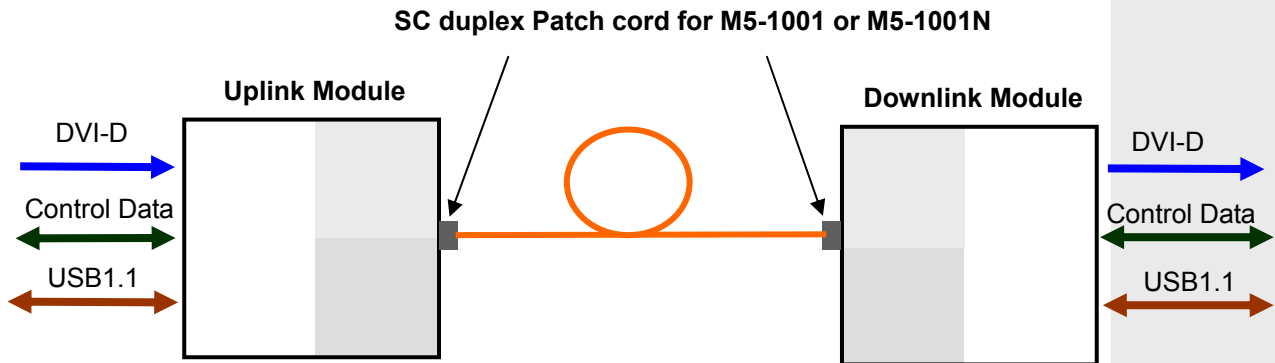


Stretch your digital connection beyond copper

Model: M5-1001 / M5-1001N



Descriptions

M5-1001 offers extremely long extension of DVI, USB and serial control data up to 10,000m over a 8/125um single-mode fiber cable with duplex SC connector. It is tremendously long over the limits of copper extensions like a few of meter of DVI and USB.

Digital video, USB downlink and serial control data are all so encoded into a series of TTL data in the uplink module as to be transmitted over a fiber or two fibers. Serial control data, USB uplink and DDC data for displays are oppositely so encoded in the downlink as to be transmitted to the source side over another fiber or two other fibers.

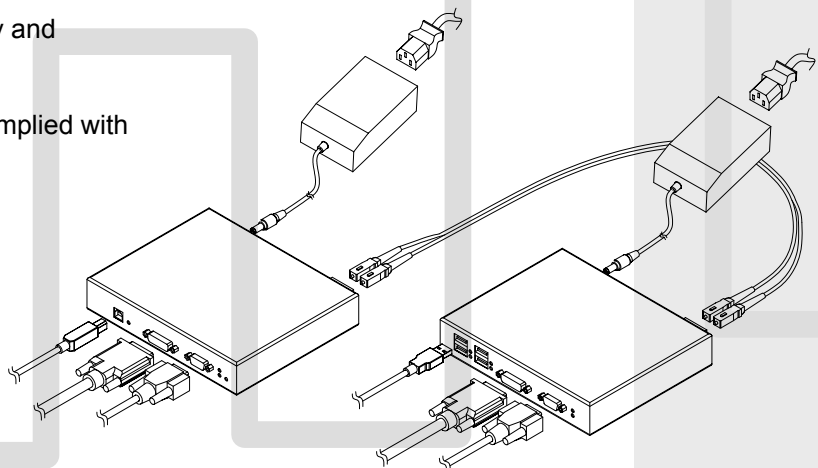
Optionally, we could include digital audio and offer a choice of serial interface protocol; RS232 or RS485.

The duplex SC connection grants benefits of simplicity and robustness of connection for industry and commercial applications.

The DDC and Hotplug detect are fully complied with DDC2B standard.

Features and Specifications

- ◆ Extends DVI, USB and control data up to 10Km.
- ◆ USB interface: USB1.1 compatible (12Mbps).
Option: M5-1001N without USB
- ◆ Serial control data: RS232 or RS485 with 9 pin D-sub connector.
- ◆ Graphic/Video data: SXGA (1280X1024), 24bit color and 60Hz refresh rate with DVI-I female.
- ◆ Interconnection between TX and RX module: Duplex SC patch cord of 8/125um single mode fiber.
- ◆ +5V DC power supply to each module
- ◆ Complies with DDC2B
- ◆ Mechanical Dimension of each (W/D/H in mm): 150/170/45



Extend your Digital Connection!

Optical DVI/USB/ Control Extender M5

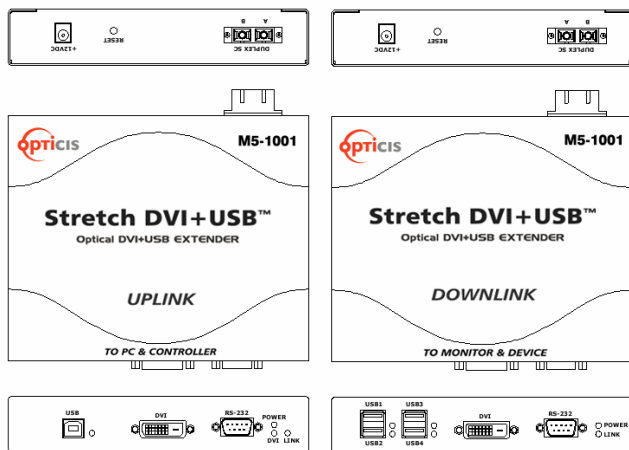
EMI and Immunity

The Opticis M5-1001 and M5-1001N extension module has been tested and found to comply with the limits for class A device, pursuant to Part 15 of FCC-rules and EN 55022/55024/61000-3 for CE certification. These limits are designed to provide reasonable protection due normal use with other home network appliance.

Eye Safety

The Opticis M5-1001 or M5-1001N extension module has been designed to meet Class 1 eye safety by adapting 1310nm/1550nm transmitter, certified by FDA/CDRH and IEC 60825-1.

[drawing]



Uplink

Downlink



www.opticis.com

Headquarter

Opticis Co., Ltd.
 # 501, ByusanTechnopia, 434-6
 Sangdaewon-Dong, Chungwon-Ku,
 Sungnam City, Kyungki-Do, 463-120
 South Korea
 Tel: +82 (31) 737-8033~9
 Fax: +82 (31) 707-8079
www.opticis.com

North American Office

Opticis North America Inc.
 330 Richmond Street, Suite 100, Chatham,
 Ontario N7M 1P7
 Canada
 Tel: +1 (519) 355-0819
 Fax: +1 (519) 355-0502

Recommended Operating Conditions

Parameter	Symbol	Min	Typ	Max	Units
Ambient Operating Temperature	T _A	0	25	+ 50	°C
Storage Temperature	T _S	-20		+ 70	°C
Storage Humidity	H _S	10		85	RH%

Electrical Power Supply Characteristics

(T_A = 0 °C to +50 °C, unless otherwise noted)

Parameter	Symbol	Min	Typ	Max	Units	
Supply Voltage	V _{CC}	11.4	12	12.6	V	
Supply Current	TX	I _{TCC}	-	620	600	mA
	RX	I _{RCC}	-	620	650	mA
Power Dissipation	TX	P _{TX}		7.44	8.2	W
	RX	P _{RX}	-	7.44	8.2	W



All contents are subject to be changed without prior notice.