



Two (2) Fibers Detachable DisplayPort Extender, DPFX-100-TR

Description

OPTICIS optical DisplayPort extender, DPFX-100-TR is designed compact enough to be fitted into various installation environments with two (2) LC fibers connection. The transmitter and receiver set, DPFX-100-TR enables to transmit WQXGA (2560x1600) at 60Hz and 4K (3840x2160) at 30Hz signal up to 200m (656feet) over two (2) LC multi-mode fibers, avoiding any tricks like scaling or data compression for lessening a burden of data transmission.

Between the transmitter and the receiver, pure fiber connection by two (2) LC fibers connector gives clean, secure and easy installation with no electrical hazard and a perfect electrical isolation. The DPFX-100-TR can be operated by USB power without external DC power adapter by plugging the supplied USB to DC plug cables to each module.

In shipping group, two (2) short DP cables are also included so as to be mated to various types of DP connectors.

Specification

- Supports DisplayPort 1.1a standards
- Extends WQXGA (2560x1600) at 60Hz and 4K (3840x2160) at 30Hz refresh rate.
- Transmits DP data up to 200m (656feet) over two (2) LC multi-mode fibers (50/125um).
- Offers total data rate 10.8Gbps (2.7Gbps per lane)
- Supports Dual-mode DP (DP++)
- Supports auxiliary I²C channel over fiber
- Compact design allows direct connect to the DP display.
- Plug & Play
- Has DP receptacle and provides intermediate cable for flexible installation
- Operated by USB power or DC power supplier
- Data security with negligible EMI emission.
- Includes two (2) +5V, 1A DC power adapters / two (2) USB to DC plug cables for the transmitter and receiver
- Size (WDH): 35 x 72 x 16mm
- Certification: CE / FCC, UL IT, Class 1 Laser Eye Safety

Applications

- Medical imaging
- Military
- Control room
- Simulator

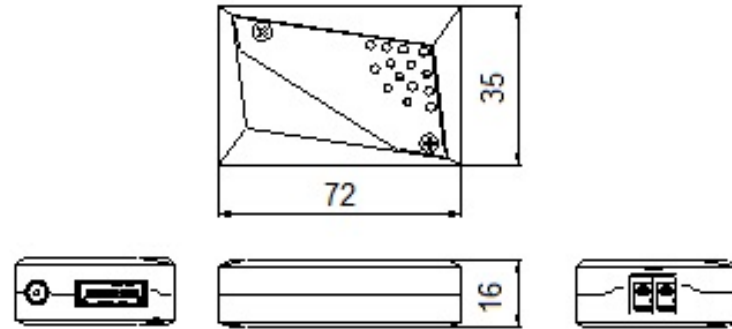
Two (2) Fibers Detachable DisplayPort Extender, DPFX-100-TR

Technical Features

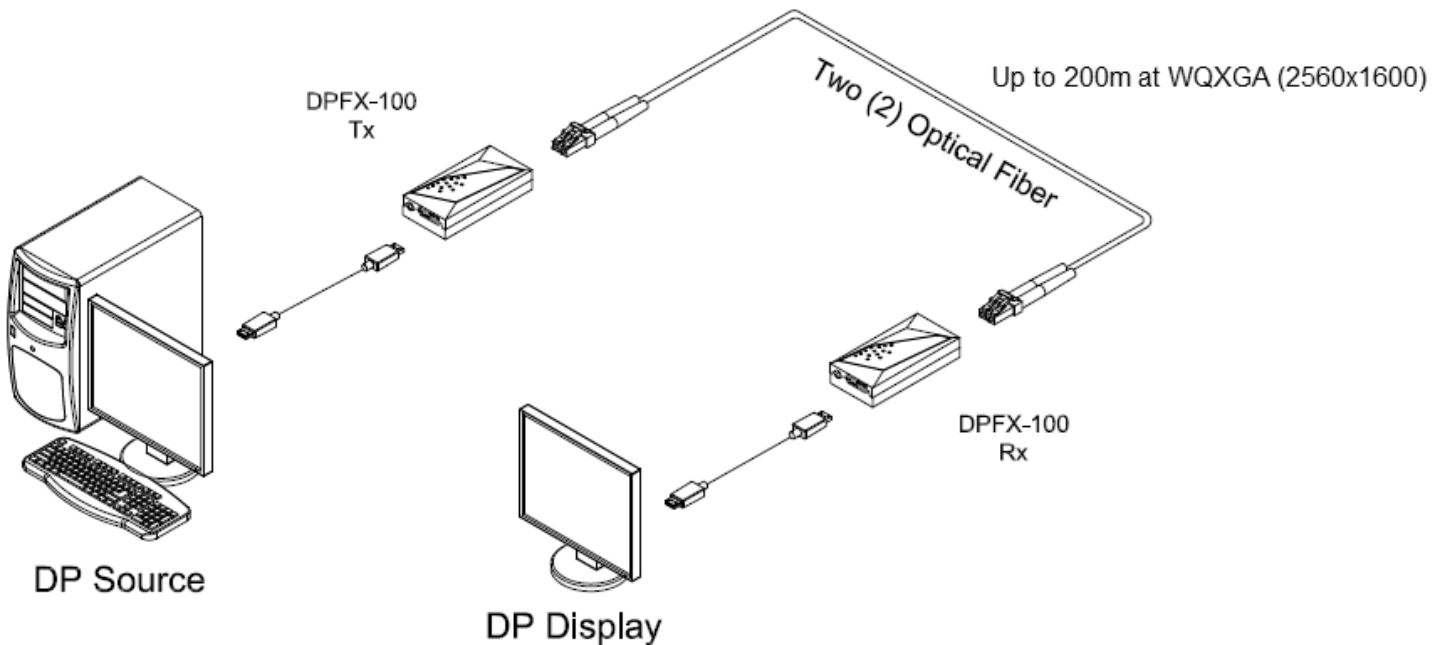
Resolution	Up to WQXGA (2560x1600) at 60Hz or 4K (3840x2160) at 30 Hz
Data rate	2.7Gbps (per lane)
Maximum distance	200m (656feet) with (50/125um) fiber
Fiber	LC terminated 2 core multi-mode fibers
AUX CH	Direct AUX CH
Power supplying	TX / RX: External 5V/1A DC power or USB cable
LED Indicators	TX: Power, Signal transmission RX: Power, Signal detection
Power consumption (Typical)	TX:1.4W / RX: 1.9W
Size (WDH)	35 x 72 x 16mm
Operating temperature	0 ~ 50°C
Operating Humid.	10 to 85% RH, non-condensing

Dimension

Size: 35 x 72 x 16mm (WDH)



Connection Diagram



Opticis Co., Ltd.
3F, 305, Sanseong-daero Sujeong-gu
Seongnam-si, Gyeonggi-do, 13354 South Korea
Tel: +82 (31) 719-8033
Fax: +82 (31) 719-8032

tosales@opticis.com



All contents are subject to be changed without prior notice.