

DATA SHEET

IP Media Player

MPDS-100

Contents

- Description
- Features
- Applications
- Technical Specification
- Block Diagram

OPTICIS HQ

Opticis Co., Ltd.
3F, 305, Sanseong-daero
Sujeong-gu, Seongnam-si
Gyeonggi-do, South Korea 13354
Tel: +82 (31) 719-8033
Fax: +82 (31) 719-8032
www.opticis.com
tosales@opticis.com

■ Description

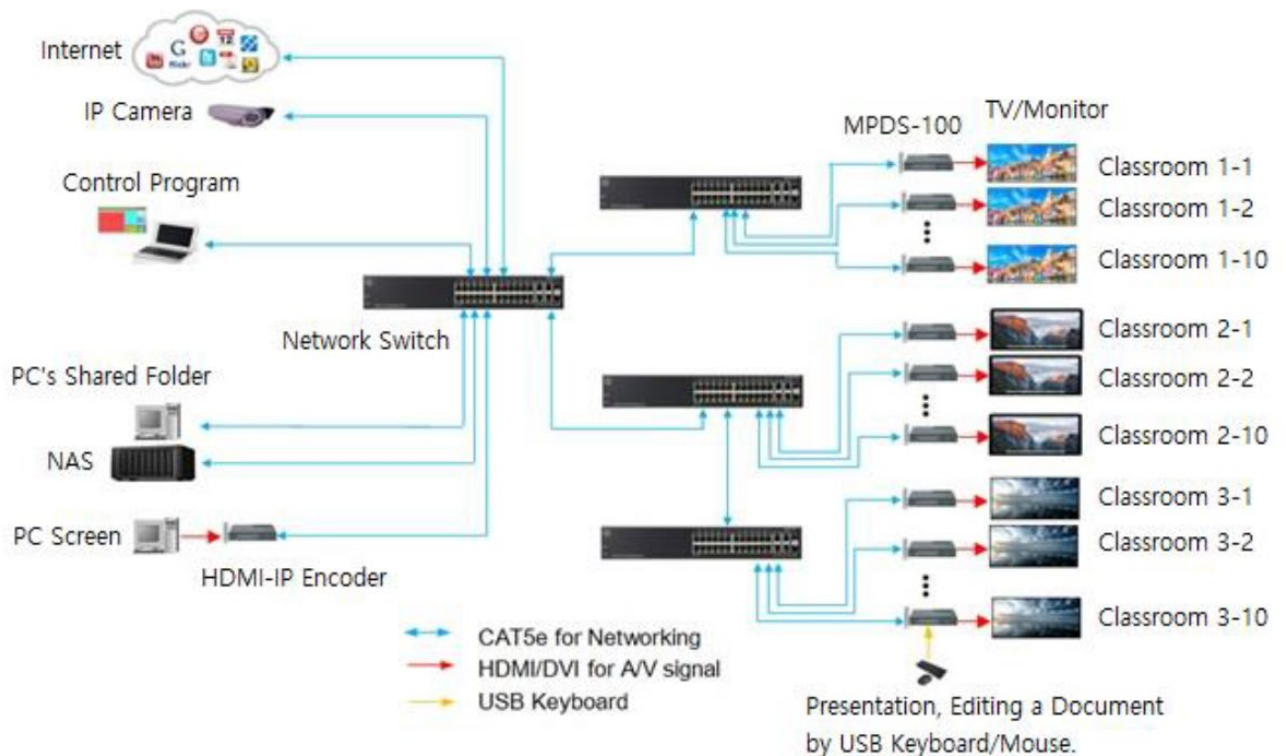
MPDS-100, a full HD media player, is capable of playing various video format files based on TCP / IP network and real-time streaming of IP-CCTV or PC screen. The control program that is provided can schedule the education contents set in the whole classroom at specific places such as the broadcasting room or the school office, manage it by time and place, and display the announcements on campus in texts. In addition, it is optimized for real-time lectures using PDF, PowerPoint, etc. It can also be used for security surveillance and broadcasting in schools because it supports IP CCTV.

■ Features

- Any of transmitters in the network can be accessed by any receiver via provided PC program
- Supports resolution up to full HD 1080p at 60Hz
- 4 x USB ports
- RS-232 for external control

■ Applications

- Education



■ **Technical Specification**
 - General Specification

Item	Description
Network	10/100 Base-TX Ethernet
Resolution	Up to 1080p@60Hz
Video Interface	HDMI 1.4
Video codec	H.264, MPEG4, VP6, VP7, VP8
Audio Interface	HDMI Audio and Analog Line-Out (Dual output)
Supported Source Type	* Document File : pdf, doc(x), xls(x), ppt(x), hwp. * Video File : avi, mov, mkv, mp4, etc. * Audio File : mp3, ogg, wav, etc. * Streaming: YouTube, HTTP, RTP/RTSP, etc. * Image File : bmp, jpg, gif, png, etc. * Text : Static/Scrolling Text. Font Family, Font/Background Color.
Dimension	TX: 115 x 36.2 x 62mm (WHD)
Power Consumption	10W
Operating Temperature	0 ~ 40°C
Storage Temperature	-20 ~ 60°C

- Electrical Characteristics

	Parameter	Symbol	Minimum	Typical	Maximum	Units
Power Supply	Supply Voltage, Temp 25°C	VCC	+ 4.75	+ 5.0	+ 5.25	V
	Supply Current	ICC	-	2.5	-	A
	Power Dissipation		5	7.5	10	W
TMDS	Data Output Load	RLD		50		Ω
	Graphic Supply Voltage	GVCC	+ 3.15	+ 3.3	+ 3.45	V
	Single-Ended High Level Input Voltage	GVIH	GVCC - 0.01	GVCC	GVCC + 0.01	V
	Single-Ended Low Level Input Voltage	GVIL	GVCC - 0.6	-	GVCC - 0.4	V
	Single-Ended Input Swing Voltage	GVISWING	0.2	-	0.75	V
Ethernet Link	Maximum Bit rate			40		Mbps
	Network Speed			10/100		Mbps
	RGMII/GMII	-0.2		2.8		V

(T_A = 0 °C to +50 °C, unless otherwise noted)

- HDMI Pin Description

Pin	Symbol	Functional Description
1	CH2+	TMDS Data Signal Channel 2 Positive
2	GND	TMDS Data Signal Channel 2 Shield
3	Ch2-	TMDS Data Signal Channel 2 Negative
4	CH1+	TMDS Data Signal Channel 1 Positive
5	GND	TMDS Data Signal Channel 1 Shield
6	CH1-	TMDS Data Signal Channel 1 Negative
7	CH0+	TMDS Data Signal Channel 0 Positive
8	GND	TMDS Data Signal Channel 0 Shield
9	CH0-	TMDS Data Signal Channel 0 Negative
10	CLK+	TMDS Clock Channel Positive
11	GND	TMDS Clock Signal Shield
12	CLK-	TMDS Clock Channel Negative
13	CEC	Consumer Electronics Control
14	Reserved	Not used
15	SCL	HDCP/DDC communication clock
16	SDA	HDCP/DDC communication data
17	GND	DDC/CEC shield
18	5V	5 V Input for Transmitter from Host
		5 V Output for Monitor from Receiver
19	Hot plug Detect	Signal is driven by monitor to enable the system to identify the presence of a monitor

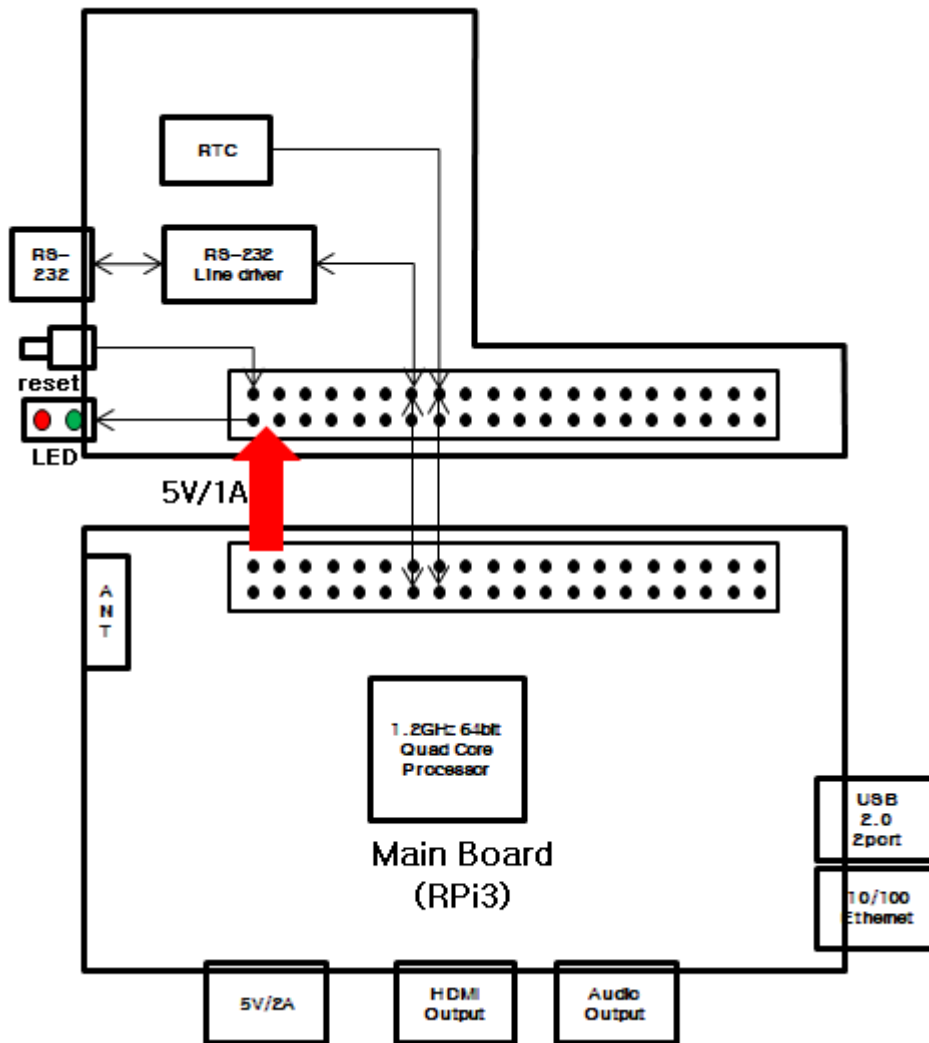
- Absolute Maximum Ratings

Parameter	Symbol	Minimum	Maximum	Units
Supply Adaptor Voltage, Temp=25°C	VCC	-0.3	+5.25	V
Operating Temperature	Top	0	40	°C
Operating Relative Humidity	RHop	5	80*	%RH
Storage Temperature	Tsto	- 30	+ 70	°C
Storage Relative Humidity	RHsto	10	95*	%RH

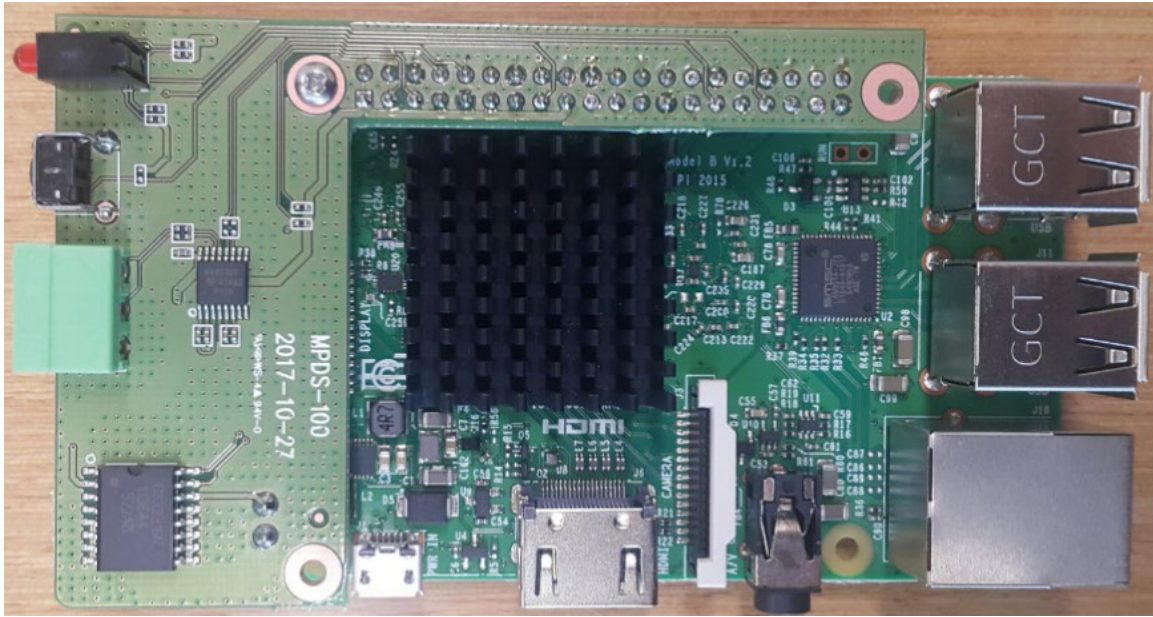
- Recommended Operating Conditions

Parameter	Symbol	Minimum	Typical	Maximum	Units
Ambient Operating Temperature	TA	0		+ 40	°C
Data Output Load (HDMI)	RLD		50		Ω
Power Supply Rejection (Note1)	PSR		100		mVp-p
Supply Voltage	VCC	+ 4.75	+ 5.0	+ 5.25	V

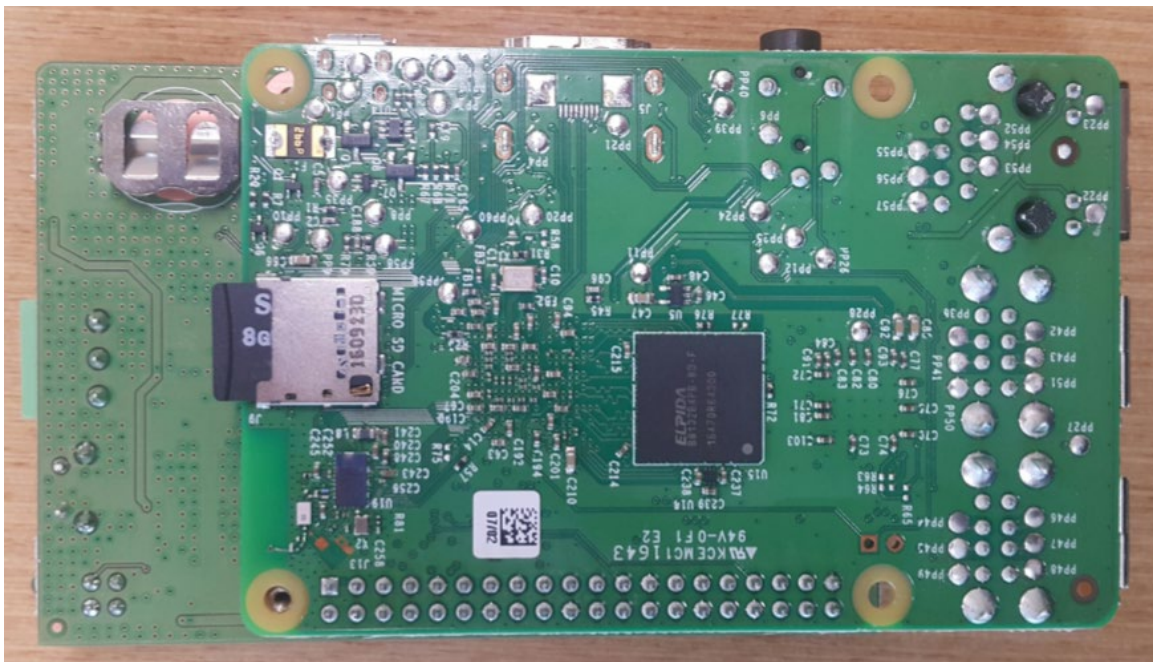
■ Block Diagram



MPDS-100 (Ver. 1.1)



Top



Bottom